

CURVED LAMINATED STAIR STRINGERS Installation Instructions

- Total rise of your laminated stringer from top of deck to bottom of steps is _____
- Each rise height is _____
- Total number of risers including deck are _____
- Total number of treads are _____
- Radius of the inside of your set of stringers is _____
- Width of steps measurement outside to outside curved stringer _____
- The length of your 2 x 12 riser between stringers is _____
- The 2 x 12 riser should be exactly 11¼" high at hangers.

The above measurements are designed specifically for this set of curved steps.

Do NOT change these measurements.

1. Cut 2 x 6 stringer support (Figure #2 & #6) the same length as the width of the step and install at step location (Figure #2 & #6).
2. Cut 2 x 8 stringer ledger the same length as 2 x 12 riser and install (Figure #1, #2 and #6).
3. Install metal stringer hangers (Figure #6). Fasten with minimum of (6) 1¼" screws in top half of hanger only. Bottom of hanger to be bent to stringer when installed later.
4. Dig 12" diameter holes for 4 x 4 post where shown on post drawing. Pour a minimum of 6" of concrete in each hole and level top of concrete. Do not install post at this time. Post hole location drawings are + or - 2 inches.
5. Cut (2) 2 x 12 risers and install in top and bottom of riser hangers #1 and #2 stringers fasten with (3) 3" screws through outside of stringer in each end of 2 x 12 riser. Pre-drill holes for screws through stringer. Attach first pair of stringers #1 and #2 with 2 riser attached, to ends of 2 x 8 stringer ledger with (3) 3" screws of each stringer. You may need to temporarily loosen screws on one side of top riser to allow stringers to fit over stringer ledger. Count the number of risers down to the last riser in the first stringer section and multiply by the designed rise. Use that measurement from a level line at the top of deck and temporarily support both stringers.
6. Install two risers in the next set of stringers the same as above. Attach to top set of stringers using the metal splice plates furnished. (Figure #4) Set the elevation

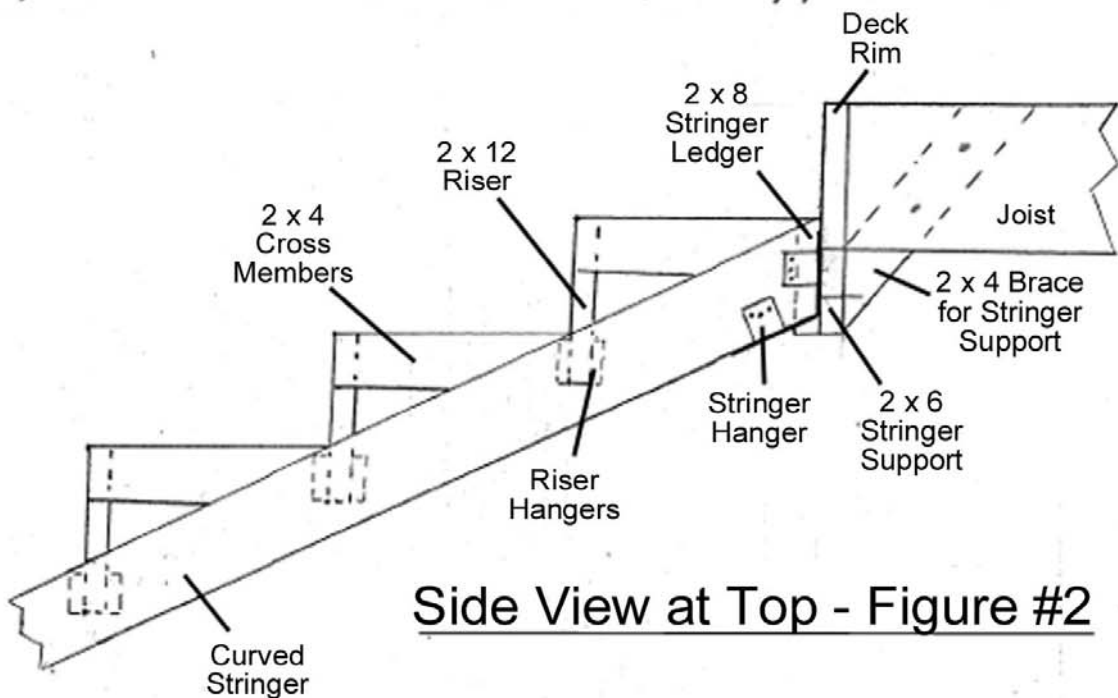
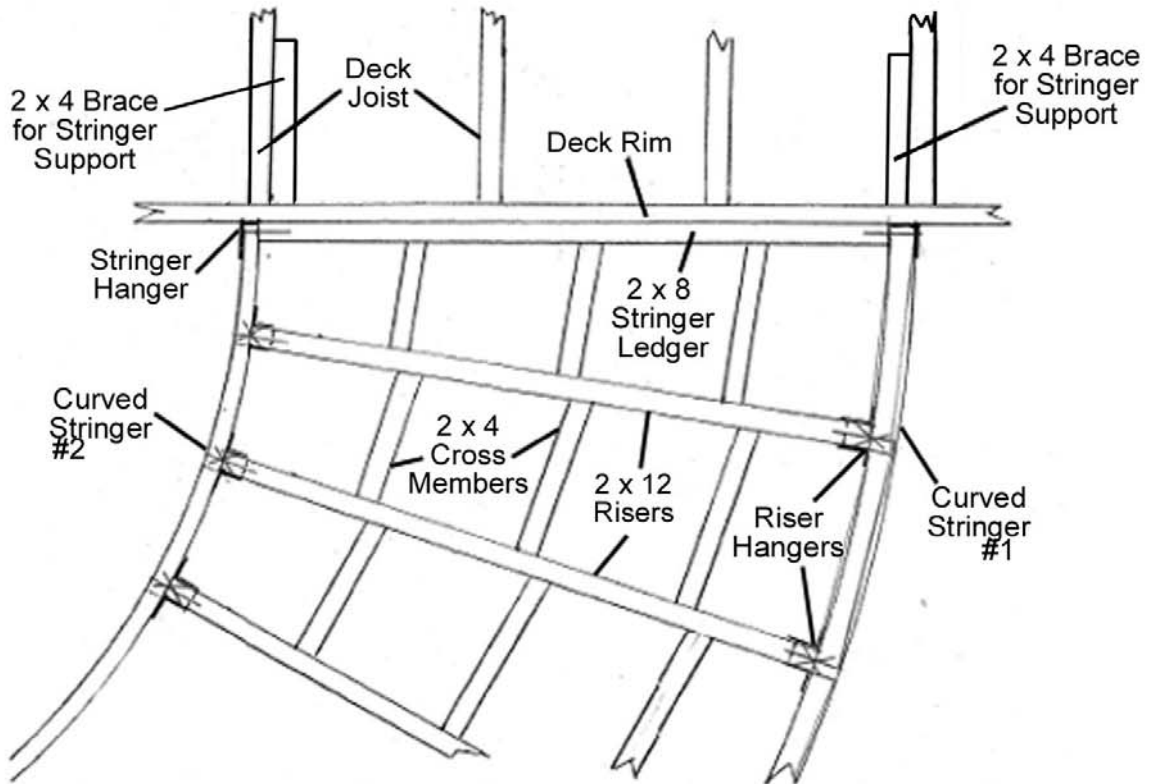
of the second set of stringers in the same manner as first set. Before setting last set of stringers, dig cavity under bottom riser and stringers for drainage (Figure #5).

7. Install all other risers and fasten as described above. Plum all risers and check risers that were installed before stringers were in place. Install (2) 3" screws through each riser hanger at angles (Figure #1).
8. Once stringers are level and in proper location, 4 x 4 support post can be set in holes and marked for notching (Figures #3 and #4). Stringers to be spliced in center of 4 x 4 post. Once posts are notched and sure of fit, post finished sleeves can be notched larger than the 4 x4 notch. Then set 4 x 4's in place and anchor with (3) 3" screws at each splice (Figures #3 and #4). Once top and bottom screws of both stringers are installed, temporarily remove splice plate to install center screw. Bend bottom of adjustable stringer hanger up to bottom of stringer (Figure #2) and attach with 1¼" screws.
9. Install 2 x 4 cross members (Figure #1 and #2) as many as is required for your decking. Outside 2 x 4 cross members are attached to the end of the risers and cut at angles to fit on top of stringers. Be sure no part of the outside cross members extend out beyond curved stringer.



Curved Laminated Stair Stringers

Top View at Deck - Figure #1

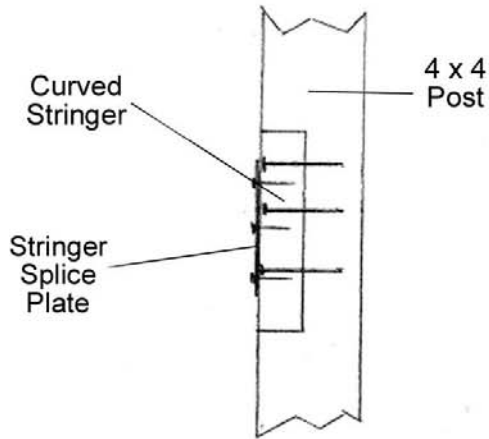


Side View at Top - Figure #2

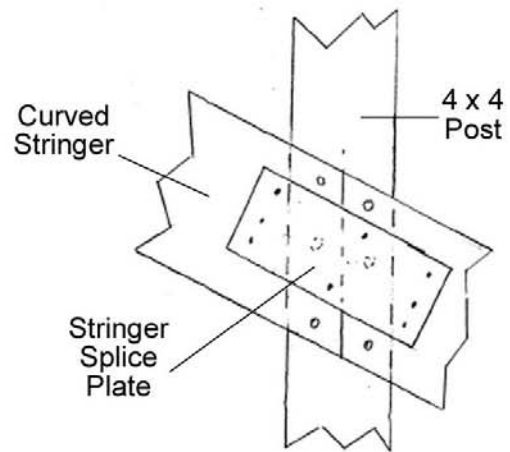


Curved Laminated Stair Stringers

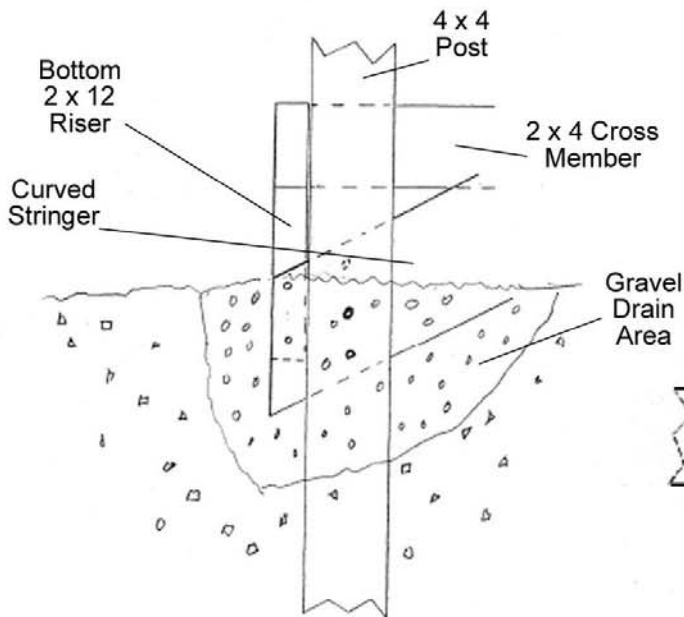
End View Stringer Notch
Figure #3



Inside View Stringer Notch and Splice - Figure #4



Bottom Post Detail
Figure #5



Deck Prep For Stringers
Figure #6

